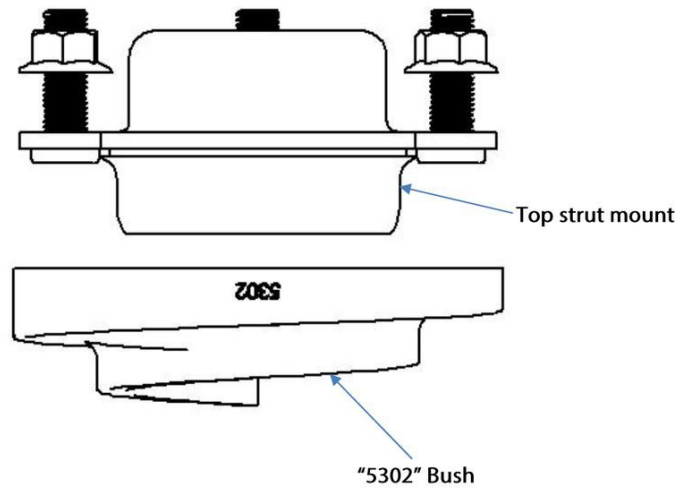


ช่วงล่าง	รายละเอียด	รุ่น	ชุด / คัน	ประกอบด้วย	หมายเหตุ	ราคา / ชุด
Everest MK2 U375 / UA II 2018-2022 Ranger T6 P375 / PX III 2WD 2018-2022 Ranger T6 P375 / PX III 4WD 2018-2022					 	
หน้า	บุชรองคอยล์สปริงบน	SPF5302K	1	2 Bushs	Standard replacement	T.B.A



Note: Polyurethane spring seat upper bushings must be fitted to both sides of the vehicle.

1. Support the vehicle on jack stand/hoist and remove the front wheels.
2. Remove the front upper arm outer nut (ball joint side) from the steering knuckle.
3. Remove the front strut assembly from the vehicle.
4. Note the orientation of the top strut mount.
5. With the aid of a spring compressor disassemble the strut and separate the top strut mount assembly.
6. Clean up contact areas and replace the spring seat upper bush.
7. Reassemble the top mount assembly in reverse order, ensure it is orientated as per original.
8. Refit the completed front strut assembly into the vehicle.
9. Tighten all fasteners to manufacturer's torque setting and carry out a wheel alignment.